



DATA SHEET



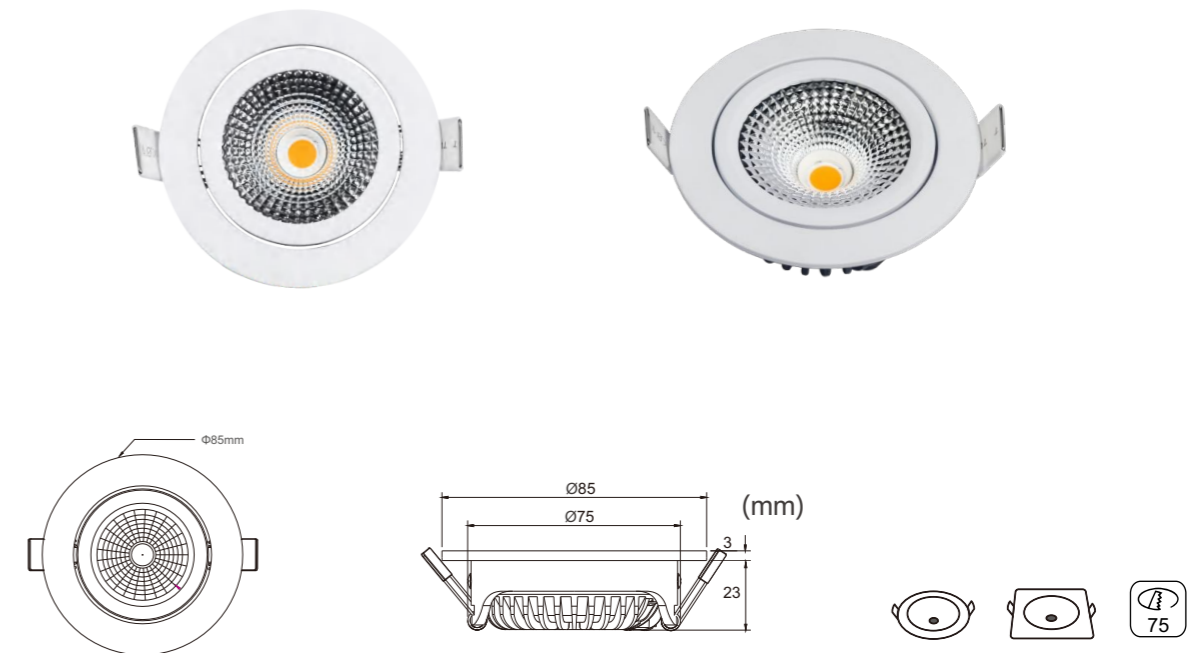
ULTRA SLIM FLAT ADJUSTABLE



IP 67 WATERPROOF SPOTLIGHT
INSTALLATION HEIGHT 23 MM.
3 OPTIONS: REFLECTOR/LENS/DIFFUSER

B0101-01/A1(Adjustable Spotlight)

Power: 5W/7W
Luminous Efficiency: 85 LM/W
CRI: 90
Beam angle: 24°/38°/60°/90°/120°
Voltage: 220V/110V
IP Rating: 21/54/65/67
Material: Aluminum



- 5year and 10year warranty
- IP21/ IP54 / IP65/ IP67
IP54 suitable for bathroom
IP65 suitable for Patio,Porch,Eave,Shower room
IP67 can be briefly immersed in water
- Flicker-free & trailing edge driver
- Adjustable and non-adjustable options
- Cut-out options: 55/68/75/83/90/115/165mm
- Small dimension, but high power and brightness.
- Light efficiency is 120lm/W Max.
- It is also possible to apply a DALI, 1-10V, 9-36V DC or ZIGBEE driver to these spots..





DRIVER DATA SHEET(Flicker-free Driver)

Wattage	5W/7W		
Input rated Voltage	AC200-240V		AC100-265V
Frequency	50/60Hz		50/60Hz
Input Voltage	AC180-265V		AC90-305V
Efficiency	≥76%		≥83%
Power Factor	≥0.9		≥0.5
Rated input current	≤0.03A		≤0.03A
Full load output Voltage	DC8-11V	DC14-25V	DC28-42V
Rated output current	350mA	260mA	130mA
Output current range	340mA±5%	130mA±5%	130mA±5%
Power tolerance	10%		10%
Dimming range	10%-100%		PASS
Total harmonic distortion (THD)	≤20%		PASS
Current output tolerance	±5%		
Short circuit protection	PASS		
Over voltage protection	PASS		
Over temperature protection	PASS		

FIXTURE COMPATIBILITY

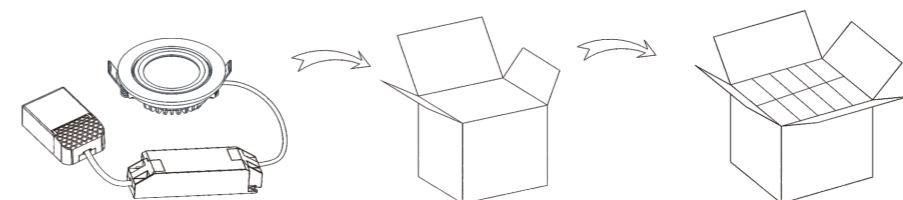
Rated Wattage	Electrical Classification	Ingress Protection	Operating Temp	Operating Humidity	Storage Temp
5W/7W	II	IP21/54/65	-20 °C~45 °C	0~90%	-20 °C~65 °C

PACKAGING INFORMATION

	SIZE(CM)	N.W/pc (KGS)	G.W.(KGS)	Q'TY(PCS)		CTNS	Q'TY(PCS)	VOLUME(CBM)
Carton	52.5*21.5*37	0.25	13	50	20" standard container	683	34150	28
					40" standard container	1366	68300	56



APP smart-light RGB CCT spotlight introduction
TUYA APP / Philips HUE APP / Zigbee Remote Control





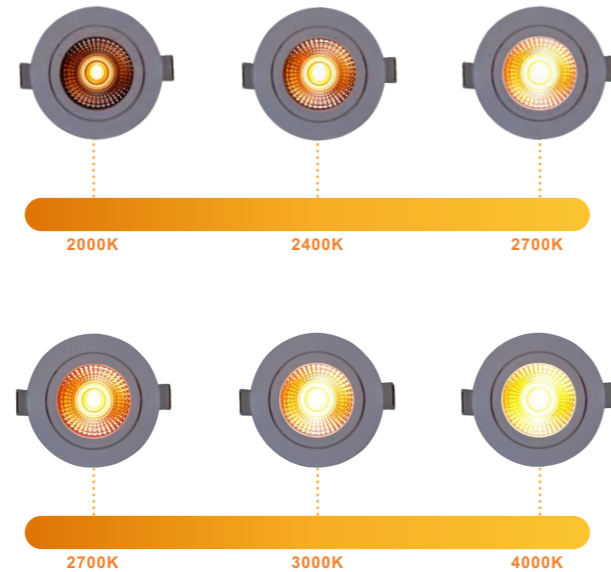
DIM TO WARM+CCT SOLUTION+2 POWER

Professional dimming LED light manufacturert

1

DIM TO WARM

- 1800K~2800K
- 1800K~4000K
- 2700K~4000K



2-1 2 CCT + DIM TO WARM + 2 POWER
2000K+ 3000K+ DTW (2000K~2800K)

2-2 2 CCT + DIM TO WARM + 2 POWER
2000K+ 4000K+ DTW (2000K~4000K)

2-3 2 CCT + DIM TO WARM + 2 POWER
2700K+ 3000K+ DTW (2000K~2800K)

2-4 2 CCT + DIM TO WARM + 2 POWER
2700K+ 4000K+ DTW (2700K~4000K)

2-5 2 CCT + DIM TO WARM + 2 POWER
3000K+ 6000K+ DTW (3000K~6000K)

3-1 3 CCT + DIM TO WARM + 2 POWER
2000K+2700K+3000K+ DTW (2000K~ 3000K)

3-2 3 CCT + DIM TO WARM + 2 POWER
2000K+3000K+4000K+ DTW (2000K~ 4000K)

3-3 3 CCT + DIM TO WARM + 2 POWER
2700K+ 3000K+ 4000K+ DTW (2000K~ 3000K)

3-4 3 CCT + DIM TO WARM + 2 POWER
2700K+ 3000K+ 4000K+ DTW (2700K~ 4000K)

3-5 3 CCT + DIM TO WARM + 2 POWER
3000K+4000K+6000K+ DTW (3000K~ 6000K)

- Dim to warm LED simulates the color tones of halogens
- It likes sunset to sunrise,gives you a circadian lighting.

4

2 IN 1

2 POWER + 3CCT SWITCH

- Power and CCT Switchable
- Multiple power box options
- 5 years and 10 years warranty options

Power :3~42W

PF:≥0.9

Flicker free and noise-free

Smooth triac Dimmable

Dimmable Range:10~100%

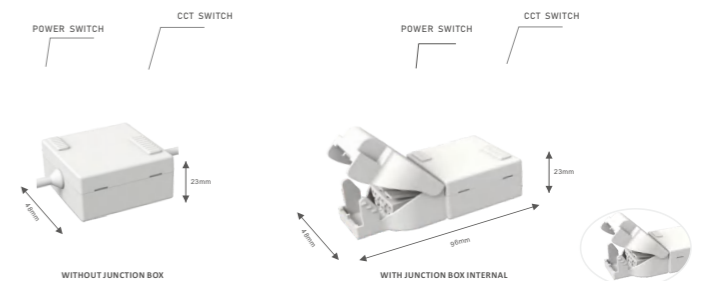
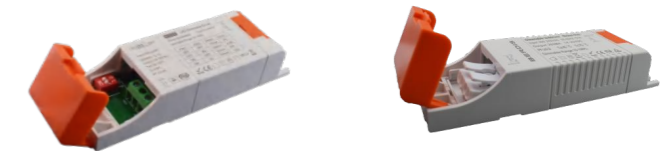
Dimmable power supply

CCT: 2700K/3000K/4000K

CCT: 2700K/4000K/6000K

CCT: 2500K/2700K/3000K

CCT: 3000K/4000K/5500K



5

DRIVER INTEGRATED LED SPOTLIGHT

Trailing edge Dimmable driver

- Driver integrated, connect to 230V directly
- Installation height as slim as 23mm
- IP54/ IP65 rating, suitable for bathroom
- 5-year warranty
- Blew items have driver internal option:
- Deep dimming, Flicker-free & trailing edge driver

